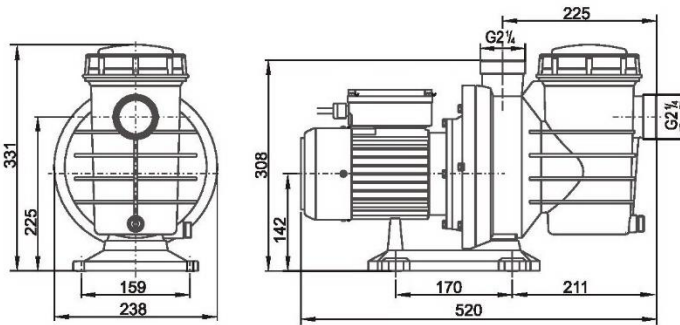
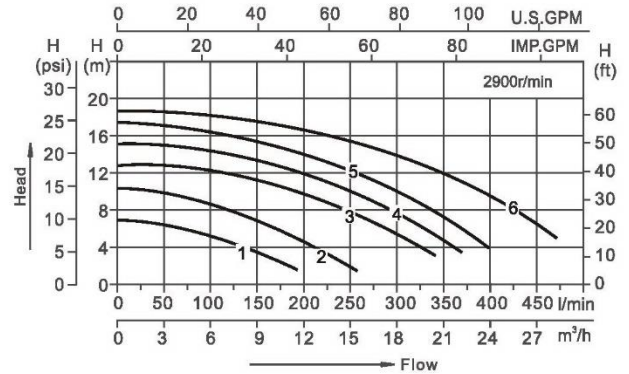


Overall dimension



Performance curves



- *SUS316 Material hardware that be suitable for clean water and sea water.
- *Air switch/ pneumatic switch is optional.



- EN 60335-1: 2012+A11
- EN 60335-2-41: 2003+A1+A2
- EN 60335-2-60:2003+A1+A2+A11+A12
- EN 62233 : 2008
- EN60335-2-30 : 2009
- EN 60335-2-35 : 2002+A1+A2
- EN60335-2-80 : 2003+A1+A2
- ERP547 / 2012

SAA

- AS/NZS60335.1
- AS/NZS60335.2.41



Technical parameter list

Model	Qmax (l/min)	Hmax (m)	Curves	V/Hz	Power(P1) kW	HP	(Amps)	Fitting size (mm)	(Kg)	Packing size (mm)	(Qty/20')
1.5kW	470	18.5	6	220-240/50	1.5	2.0	7.0	48.5or50	11.5	560×275×390	483



Mariculture circulation filter



Recirculation of water in swimming pool equipment



HYPER POOL GROUP
Everything for your Dream Pool & Spa

CENTRAL S.A. – 051 432 4397

JHB – 011 609 3836

KZN – 031 492 8827

PRETORIA – 012 492 0003

VAAL TRIANGLE – 016 981 5050

